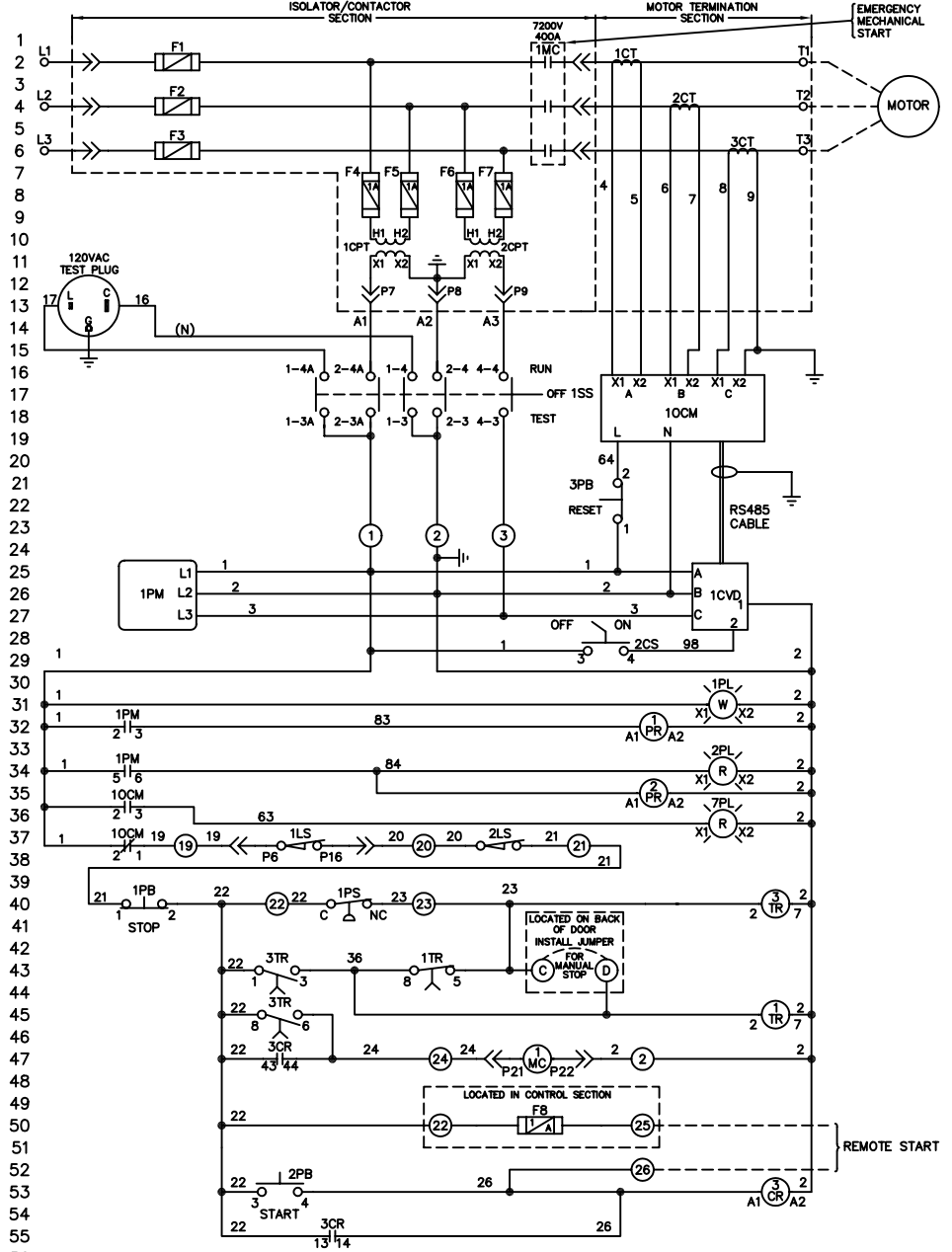
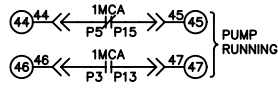
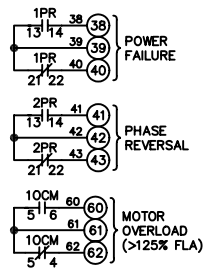


COMPONENTS	FUNCTION	LOCATION	CONTACTS
1PR	POWER FAILURE RELAY	32	54,56
2PR	PHASE REVERSAL RELAY	35	58,60
3CR	CONTROL RELAY	53	47,55
1TR	MINIMUM RUN TIMER ON DELAY 0-10 MIN.	45	43
3TR	SEQUENTIAL START TIMER ON DELAY 3-30 SEC.	40	43,45
1LS	DRAWOUT ASSEMBLY INTERLOCK	37	
2LS	RACKING HANDLE INTERLOCK	37	
1SS	SELECTOR SWITCH	17	
F1	FUSE (R) RATED	2	
F2	FUSE (R) RATED	4	
F3	FUSE (R) RATED	6	
F4-F7	PT FUSE (E) RATED	8	
F8	CONTROL FUSE	50	
1CPT	CONTROL PWR. TRANSFORMER	10	
2CPT	CONTROL PWR. TRANSFORMER	10	
1CT	CURRENT TRANSFORMER	2	
2CT	CURRENT TRANSFORMER	4	
3CT	CURRENT TRANSFORMER	6	
1MC	MAIN CONTACTOR	47	2,4,6
1MCA	1MC CONTACTOR AUX.		76,78
1PB	STOP PUSH BUTTON	40	
2PB	START PUSH BUTTON	53	
3PB	10CM RESET PUSH BUTTON	22	
1CVD	CURRENT VOLTAGE DISPLAY	26	
1PM	POWER/PHASE REV. MONITOR	26	32,34
1PS	PRESSURE SWITCH	40	
1PL	PILOT LT. (POWER ON)	31	
2PL	PILOT LT. (PHASE REVERSAL)	34	
7PL	PILOT LT. (MOTOR TRIPPED)	36	
10CM	OVERCURRENT MONITOR	18	36,37,62,64

NOTES:
 ○ DENOTES 1T FIELD TERMINALS.



DRAWN	J.B. (REDRAWN)	10-10-95	METRON, INC. DENVER, CO.
CHECK	X.S.	2-6-96	
APPD	M.	2-6-96	
SCHEMATIC, MODEL MV600 MEDIUM VOLTAGE DRAWOUT TYPE VACUUM CONTACTOR ELECTRIC FIRE PUMP CONTROLLER			OPTIONS: CS31773V SCALE N.T.S. SHEET 1 OF 1